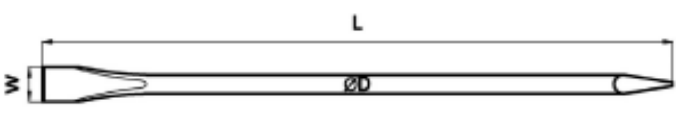
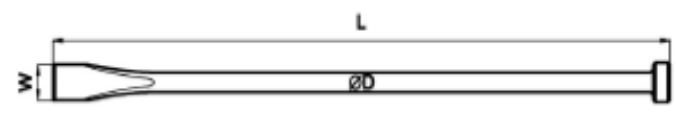
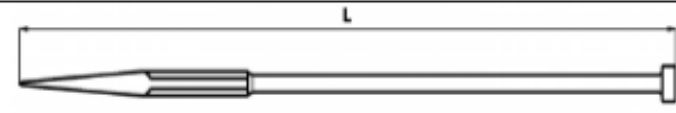
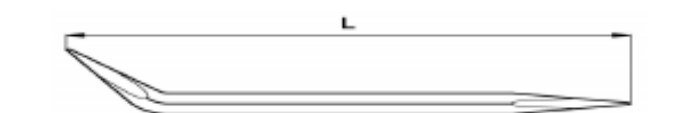
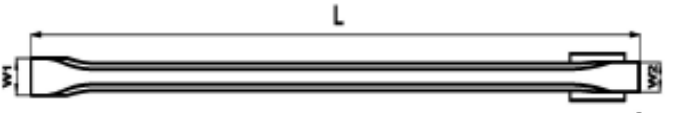
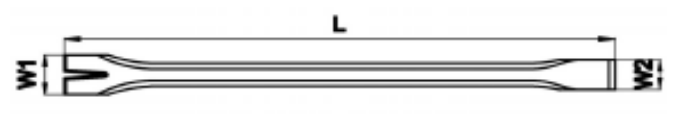
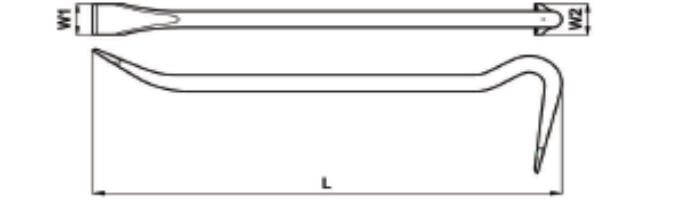


**BARS**

	Bars can be heat treated or made to sizes and shapes other than shown.	D	L	W	Product Number
CROW BAR	 <p>Available in round or hexagonal shaft</p>	27mm	1675mm	50mm	HTBCW27
		33mm	1800mm	50mm	HTBCW33
SPUD (FENCING) BAR	 <p>Available in round or hexagonal shaft</p>	27mm	1800mm	50mm	HTBSP27
		30mm	1800mm	50mm	HTBSP33
LOADED SPUD BAR		27mm	1800mm	FORGED	HTBLS18
		27mm	1800mm	WELDED	HTBLS18W
PINCH BAR		30mm	1800mm		HTBPN
SAFE BAR		25mm	950mm	W1 40mm W2 32mm	HTBSF25
		28mm	1460mm	W1 46mm W2 40mm	HTBSF28
TOMMY BAR		22mm	900mm	W1 41mm W2 31mm	LRTOMB
FORMWORK BAR		27mm	1000mm	W1 45mm W2 45mm	HTBFW27

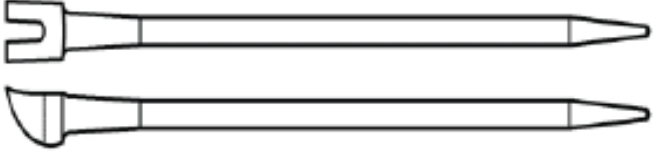
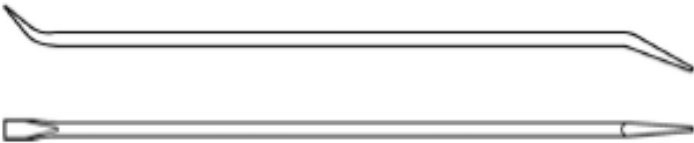
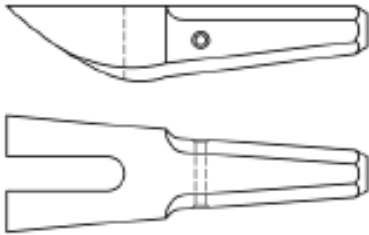
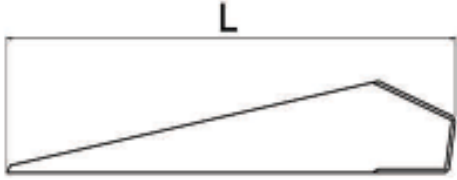




**BARS**

	Bars can be heat treated or made to sizes and shapes other than shown.	D	L		Product Number
RAIL TURNING BAR		33mm	1425mm	RAIL SIZE 53Kg	LRTB53
		33mm	1425mm	60Kg	LRTB60
WONDER BAR		33mm	1830mm		LRWBL
CLAW BAR		30mm	1690mm		PLCB
STEEL SLEEPER BAR			1676mm		LRSSB
PODGER BAR		16mm	450mm		HTBPB45
		20mm	600mm		HTBPB60
		20mm	900mm		HTBPB90
PODGER CURVED			216mm		LRPC
CLIP LEVER BAR		30mm	1150mm		LRLB



**BARS, WEDGES**

			Product Number
CLAW BAR		167mm	PLCB
XPT LEVER BAR		1200mm	LRPBXPT
CLAW WEDGE		280x85x55mm	PLCW
DRAW WEDGE		280x50x50mm 280x80x80mm	PLDWS50 PLDWS80
GIB HEAD WEDGE		235x80x25mm	PLGHW
WELDERS WEDGE		235x25x25mm	PLWW

# PERWAY TOOLS



**airplant services**


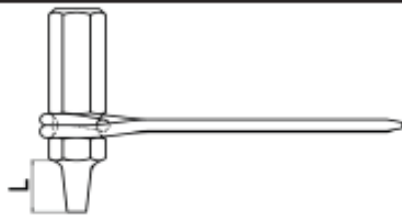

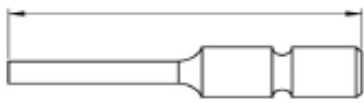



245 Nolan Street, UNANDERRA NSW 2526

Ph. (02) 4272 1790 FAX (02) 42724986

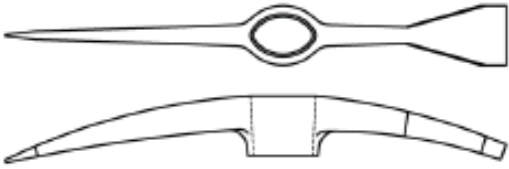


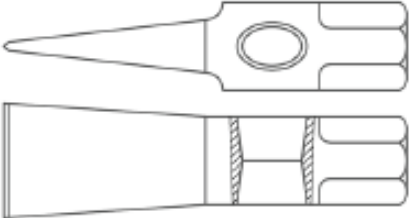
email: [sales@airplantservices.com.au](mailto:sales@airplantservices.com.au)

[www.airplantservices.com.au](http://www.airplantservices.com.au)

## PUNCHES, BRAKE TOOLS

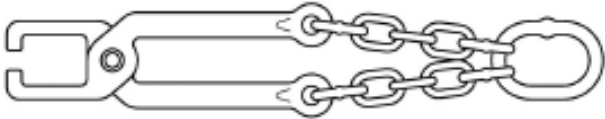
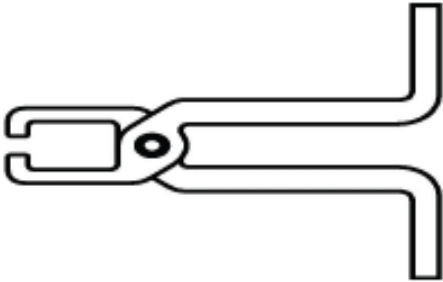
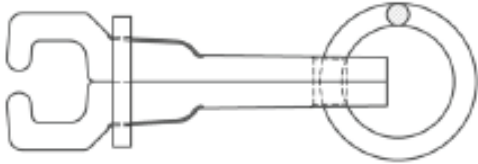
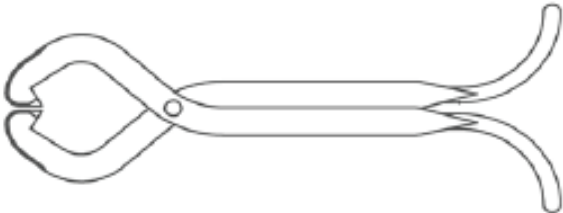
		L	Product Number
CENTRE PUNCH		210mm	LRCP
PIN PUNCH WIRE HANDLE		44mm 75mm 160mm	LRPP45 LRPP75 LRPP160
PIN PUNCH EYED		360mm	LRPE
PIN PUNCH ROUND		170mm	LRPPR
BRAKE SHOE BAR		OVAL ROUND	LRBSBO LRBSBR
SPLIT PIN EXTRACTOR TOOL		SHORT LONG	LRCPTS LRCPTL
BRAKE BLOCK KEY			LRBBK

**HAMMERS**

		<b>Product Number</b>
<p><b>BEATER PICK</b></p>		<p><b>PLBP</b></p>
<p><b>CURVED SPIKING HAMMER</b></p>		<p><b>PLSHC</b></p>
<p><b>SPIKING HAMMER</b></p>		<p><b>PLSH</b></p>
<p><b>HOT SET ALUMINO- THERMIC</b></p>		<p><b>PLSHA</b></p>



**LIFTING**

			<b>Product Number</b>
<b>RAIL TONG TYPE 107</b>			<b>PLRT107</b>
<b>RAIL TONG SCISSOR</b>			<b>PLRTS</b>
<b>RAIL TONG TYPE 2609</b>			<b>PLRT2609</b>
<b>SLEEPER TONGS</b>			<b>PLST</b>